



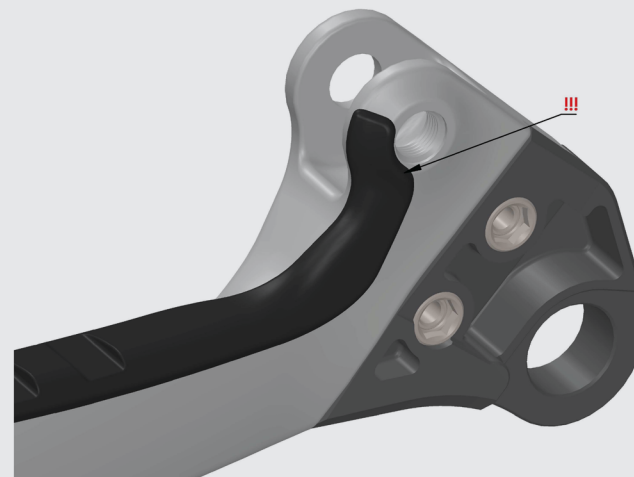
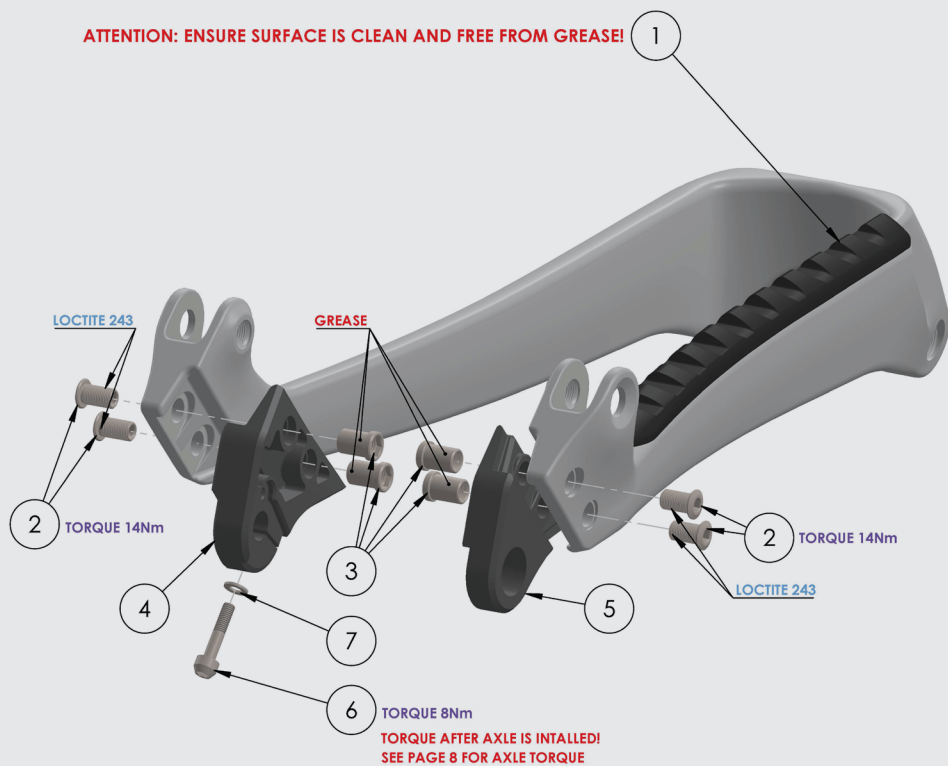
SUPERNOUGHT //
EXPLODED VIEW

EXPLODED VIEW - V1.0

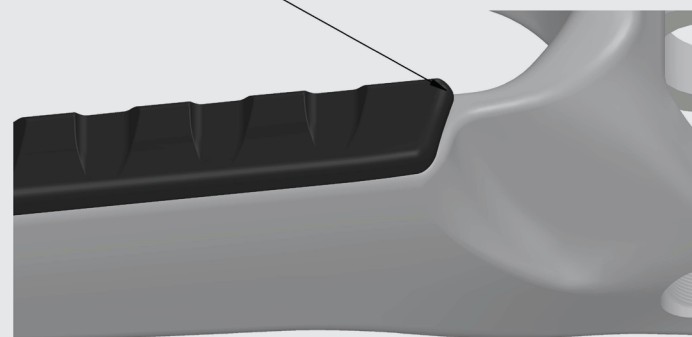


| ITEM NO. | DESCRIPTION | QTY |
|----------|--|-----|
| 1 | 004.002.0010 CHAINSTAY PROTECTOR | 1 |
| 2 | 001.004.0007 DROPOUT BOLT 5mm HEX | 4 |
| 3 | 001.004.0008 DROPOUT NUT 8mm HEX | 4 |
| 4 | 001.004.0006 27.5 [0] NON-DRIVESIDE DROPOUT ALT. 001.004.0003 ALT. 29 [0] NON-DRIVESIDE DROPOUT | 1 |
| 5 | 001.004.0004 27.5 [0] DRIVESIDE DROPOUT ALT. 001.004.0001 ALT. 29 [0] DRIVESIDE DROPOUT | 1 |
| 6 | 003.007.0019 M5 x 20 SOCKET SCREW 5mm HEX | 1 |
| 7 | 002.005.0004 M5 x 1.0 WASHER 10mm OD | 1 |

ATTENTION: ENSURE SURFACE IS CLEAN AND FREE FROM GREASE!



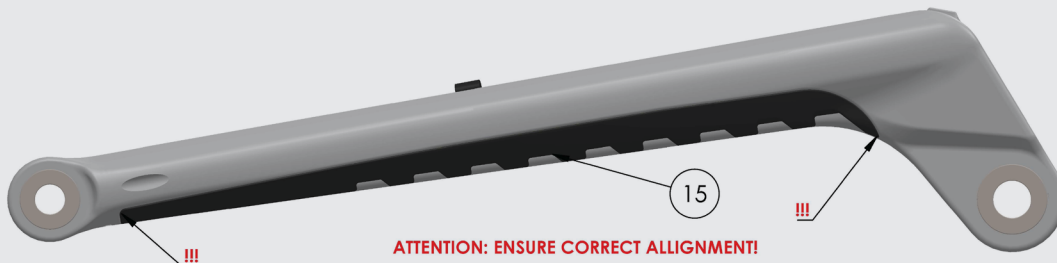
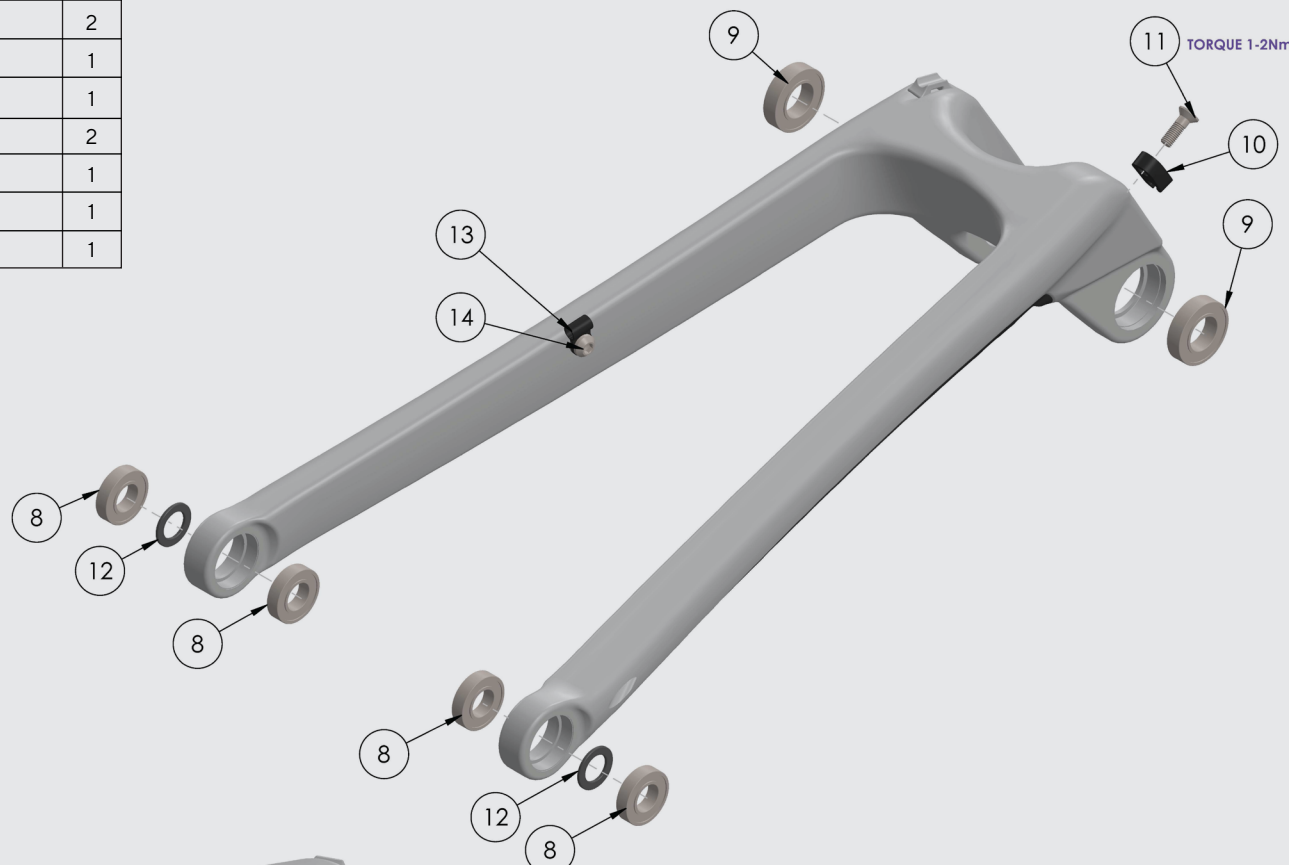
!!! ATTENTION: ENSURE CORRECT ALIGNMENT!



EXPLODED VIEW - V1.0



| ITEM NO. | DESCRIPTION | QTY |
|----------|--|-----|
| 8 | ENDURO 6901 LLU MAX | 4 |
| 9 | ENDURO 6902 LLU MAX | 2 |
| 10 | 004.001.0005 REAR TRIANGLE CABLE PORT RH | 1 |
| 11 | 003.007.0013 SEATSTAY CABLE PORT SCREW | 1 |
| 12 | 002.004.0016 SPACER 12x1.5 | 2 |
| 13 | 004.001.0011 P-TYPE CABLE GUIDE | 1 |
| 14 | 003.007.0002 ACCESSORY SCREW | 1 |
| 15 | 004.002.0012 SEATSTAY PROTECTOR | 1 |



ATTENTION: APPLY LIGHT FILM OF GREASE TO BEARING BORES BEFORE INSTALLATION!

EXPLODED VIEW - V1.0



| ITEM NO. | DESCRIPTION | QTY |
|----------|---------------------|-----|
| 8 | ENDURO 6901 LLU MAX | 2 |

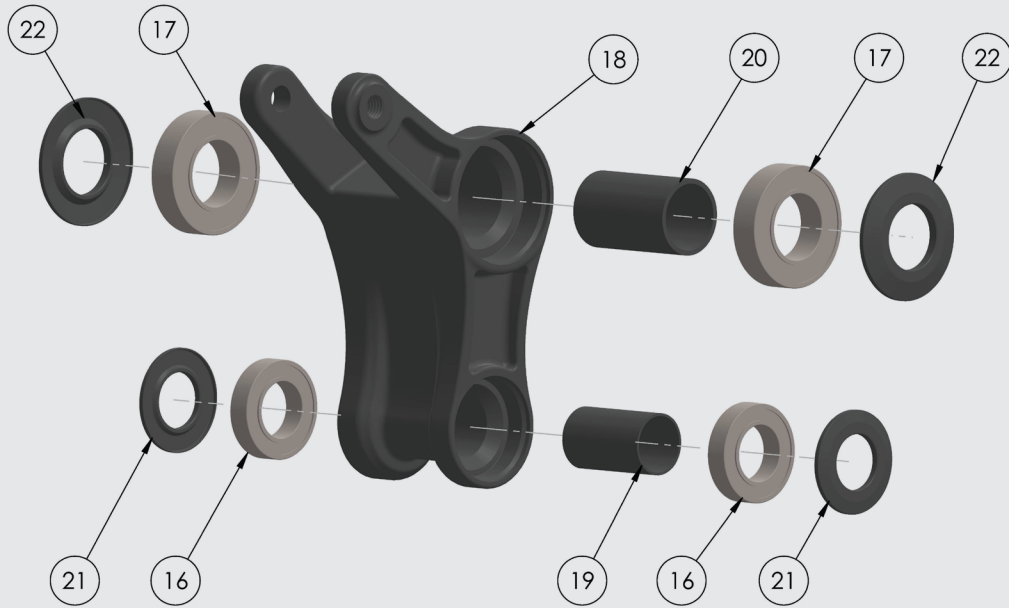


ATTENTION: APPLY LIGHT FILM OF GREASE TO BEARING BORES BEFORE INSTALLATION!

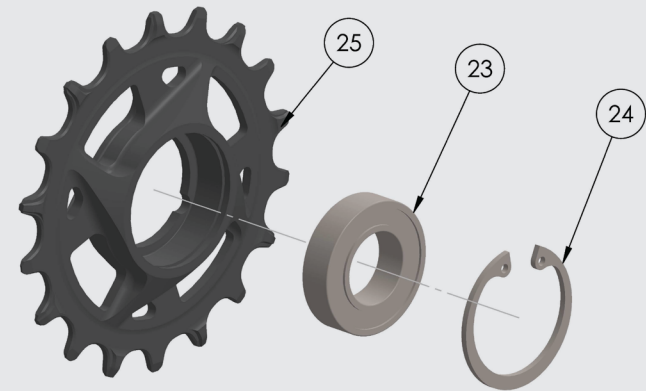
EXPLODED VIEW - V1.0



| ITEM NO. | DESCRIPTION | QTY |
|----------|--------------------------------------|-----|
| 16 | ENDURO 6903 LLU MAX | 2 |
| 17 | ENDURO 6904 LLU MAX | 2 |
| 18 | 001.001.0011 SUPERNOUGHT ROCKER LINK | 1 |
| 19 | 002.004.0018 SPACER 17x31.5 | 1 |
| 20 | 002.004.0019 SPACER 20x37.5 | 1 |
| 21 | 002.004.0014 SPACER 17x2.25 | 2 |
| 22 | 002.004.0015 SPACER 20x3.25 | 2 |



ATTENTION: APPLY LIGHT FILM OF GREASE TO BEARING BORES BEFORE INSTALLATION!

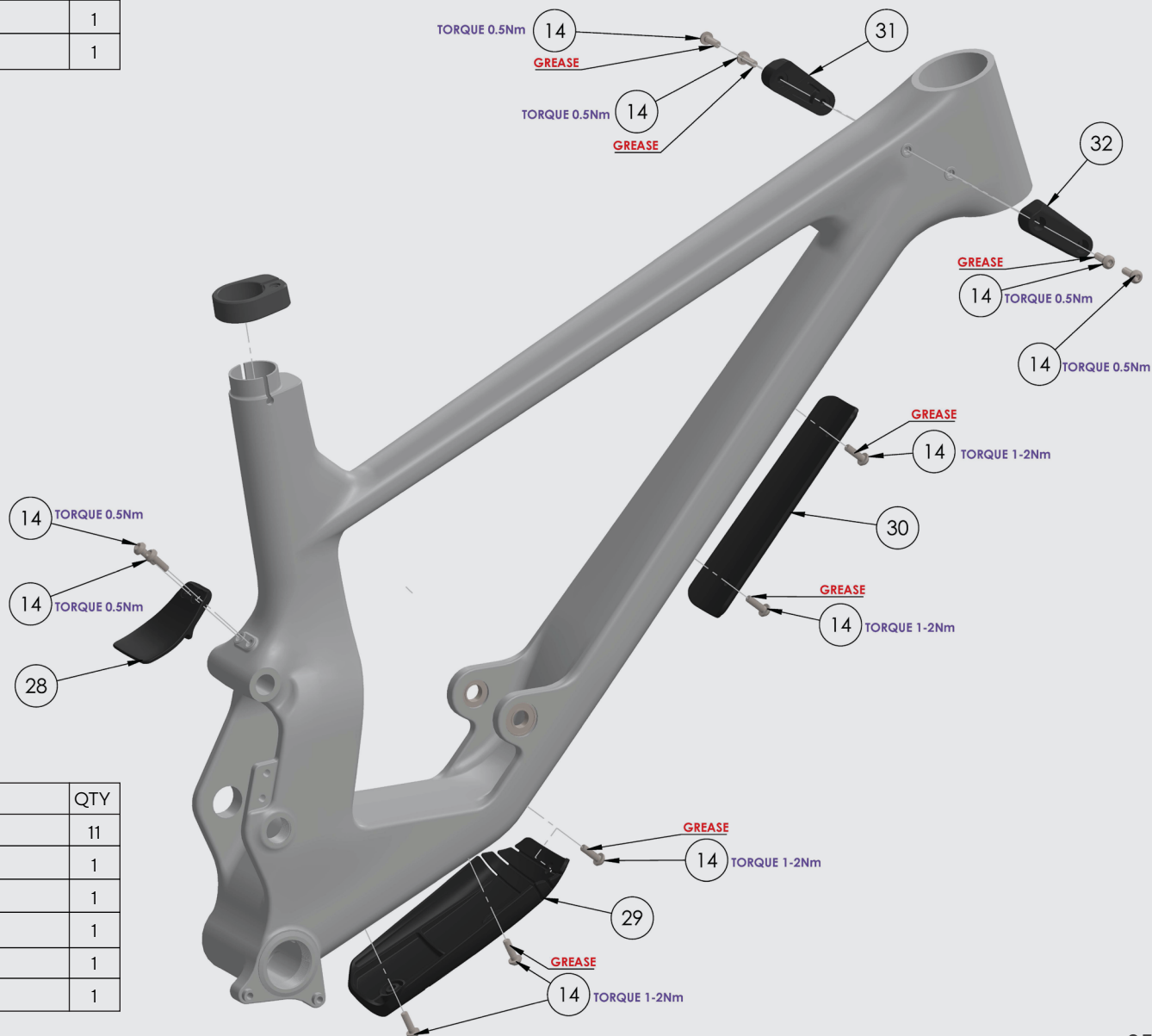
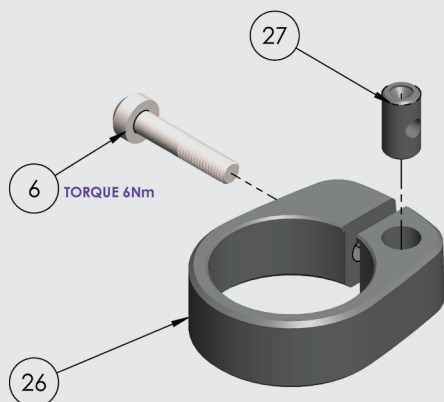


ATTENTION: APPLY LIGHT FILM OF GREASE TO BEARING BORES BEFORE INSTALLATION!

EXPLODED VIEW - V1.0



| ITEM NO. | DESCRIPTION | QTY |
|----------|---|-----|
| 26 | 003.006.0001 SEAT CLAMP | 1 |
| 27 | 003.007.0008 SEAT CLAMP BARREL | 1 |
| 6 | 003.007.0005 M5 x 25 SOCKET SCREW 5mm HEX | 1 |



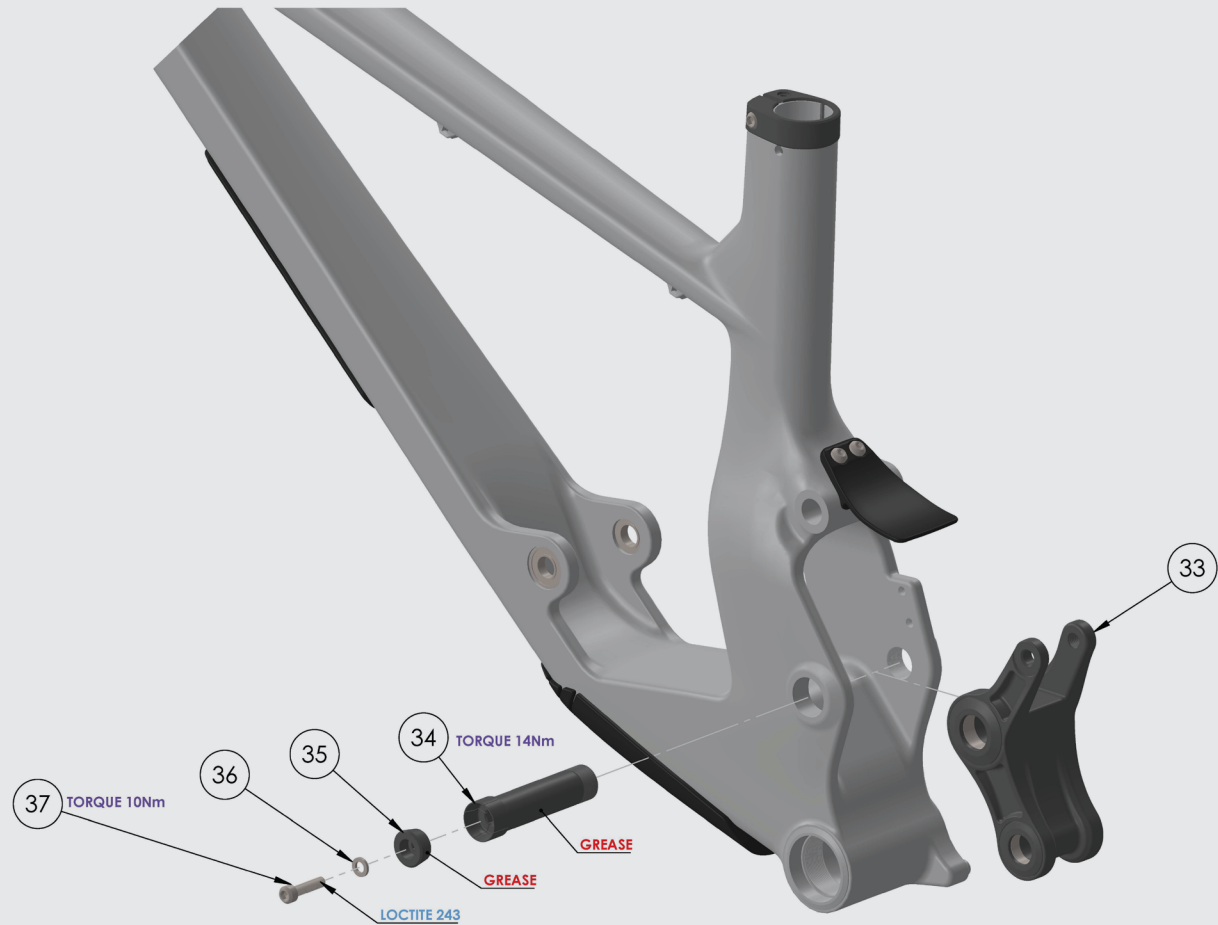
| ITEM NO. | DESCRIPTION | QTY |
|----------|--|-----|
| 14 | 003.007.0002 ACCESSORY SCREW | 11 |
| 28 | 004.002.0015 FENDER* | 1 |
| 29 | 004.002.0016 DOWNTUBE PROTECTOR* | 1 |
| 30 | 004.002.0017 DOWNTUBE PROTECTOR UPPER* | 1 |
| 31 | 004.002.0014 SUPERNOUGHT LH BUMP STOP | 1 |
| 32 | 004.002.0013 SUPERNOUGHT RH BUMP STOP | 1 |

* SUPERNOUGHT

EXPLODED VIEW - V1.0



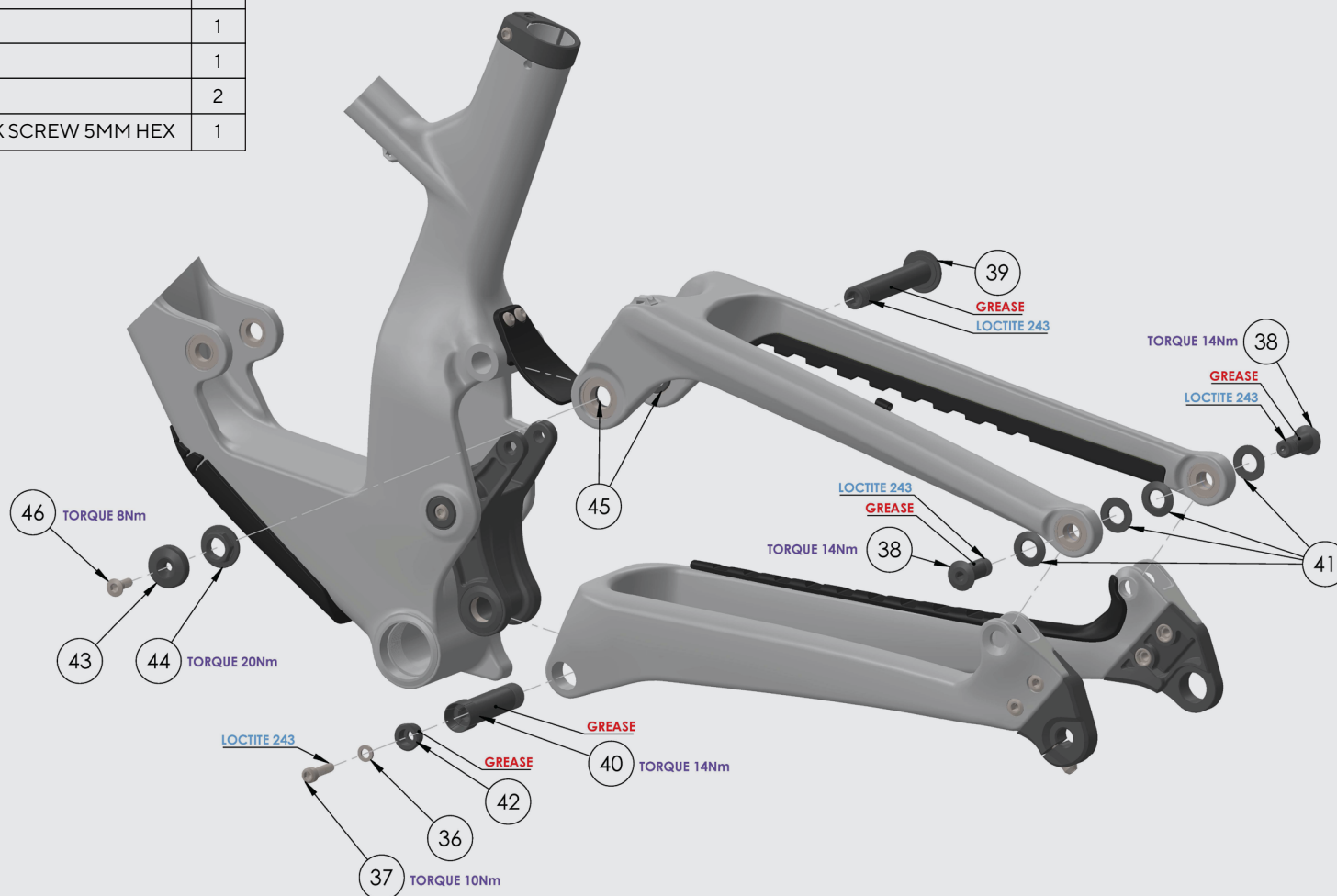
| ITEM NO. | DESCRIPTION | QTY |
|----------|---|-----|
| 33 | SUPERNOUGHT ROCKER LINK ASSEMBLY | 1 |
| 34 | 002.001.0014 SHAFT 20x60 Ext | 1 |
| 35 | 002.005.0002 TAPERED WASHER 20mm | 1 |
| 36 | 002.005.0003 M6 x 1.6 WASHER 11mm OD | 1 |
| 37 | 003.007.0011 M6 x 25 TAPER SOCKET SCREW 5mm HEX | 1 |



EXPLODED VIEW - V1.0



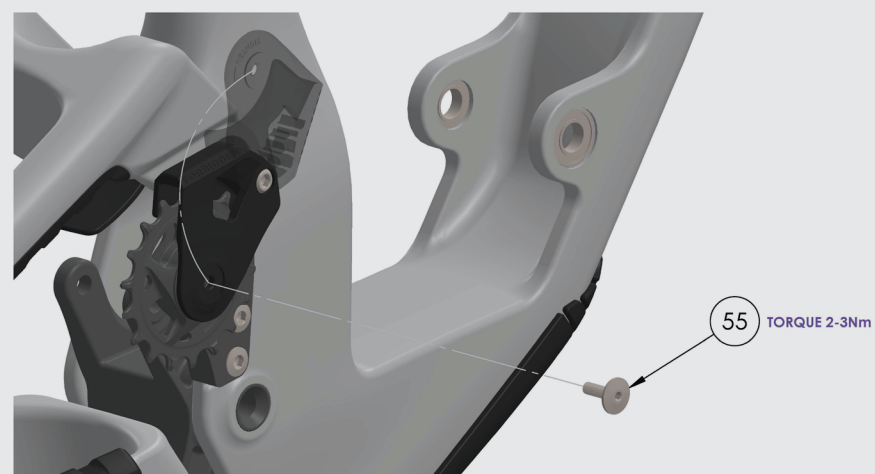
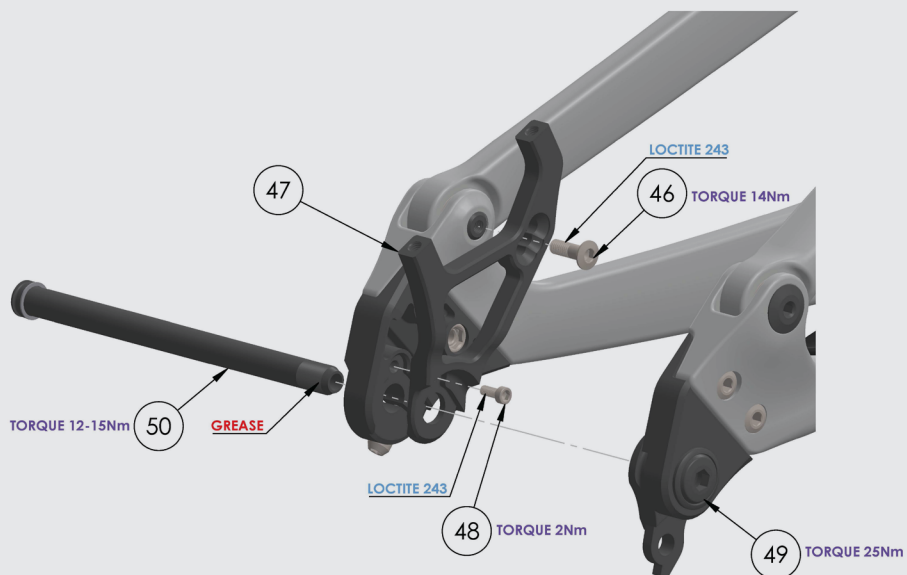
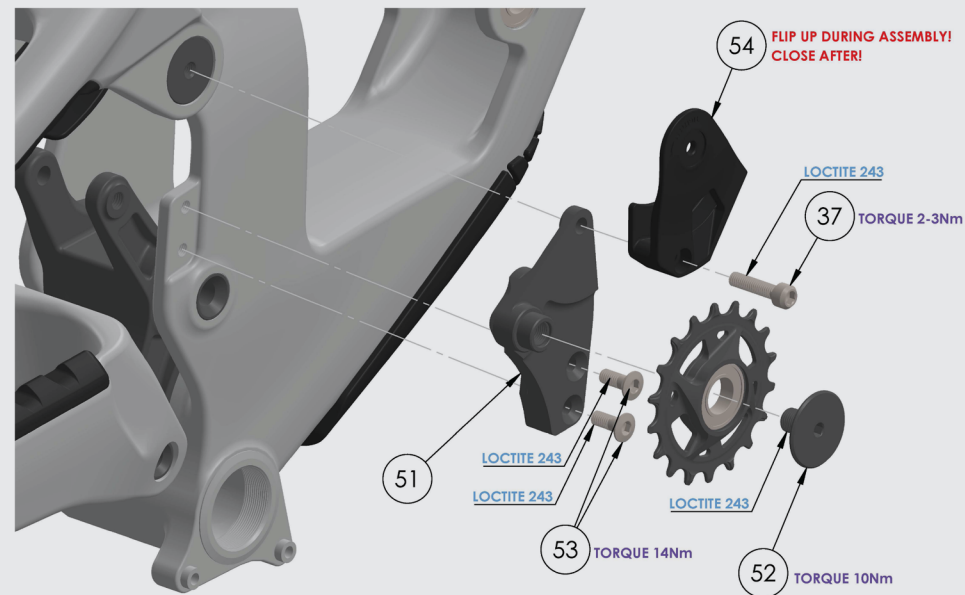
| ITEM NO. | DESCRIPTION | QTY |
|----------|---|-----|
| 38 | 002.001.0011 SHAFT 12x30 | 2 |
| 39 | 002.001.0012 SHAFT 15x82 EXT | 1 |
| 40 | 002.001.0013 SHAFT 17x50 EXT | 1 |
| 41 | 002.004.0017 SPACER 12x2.25 | 4 |
| 42 | 002.005.0001 TAPERED WASHER 17mm | 1 |
| 36 | 002.005.0003 M6 x 1.6 WASHER 11mm OD | 1 |
| 37 | 003.007.0011 M6 x 25 TAPER SOCKET SCREW 5mm HEX | 1 |
| 43 | 003.004.0003 LOCKING COVER M15 | 1 |
| 44 | 002.003.0002 NUT 15x1x8 | 1 |
| 45 | 002.004.0013 SPACER 15x3 | 2 |
| 46 | 003.007.0006 M6 x 20 COUNTERSUNK SCREW 5MM HEX | 1 |



EXPLODED VIEW - V1.0



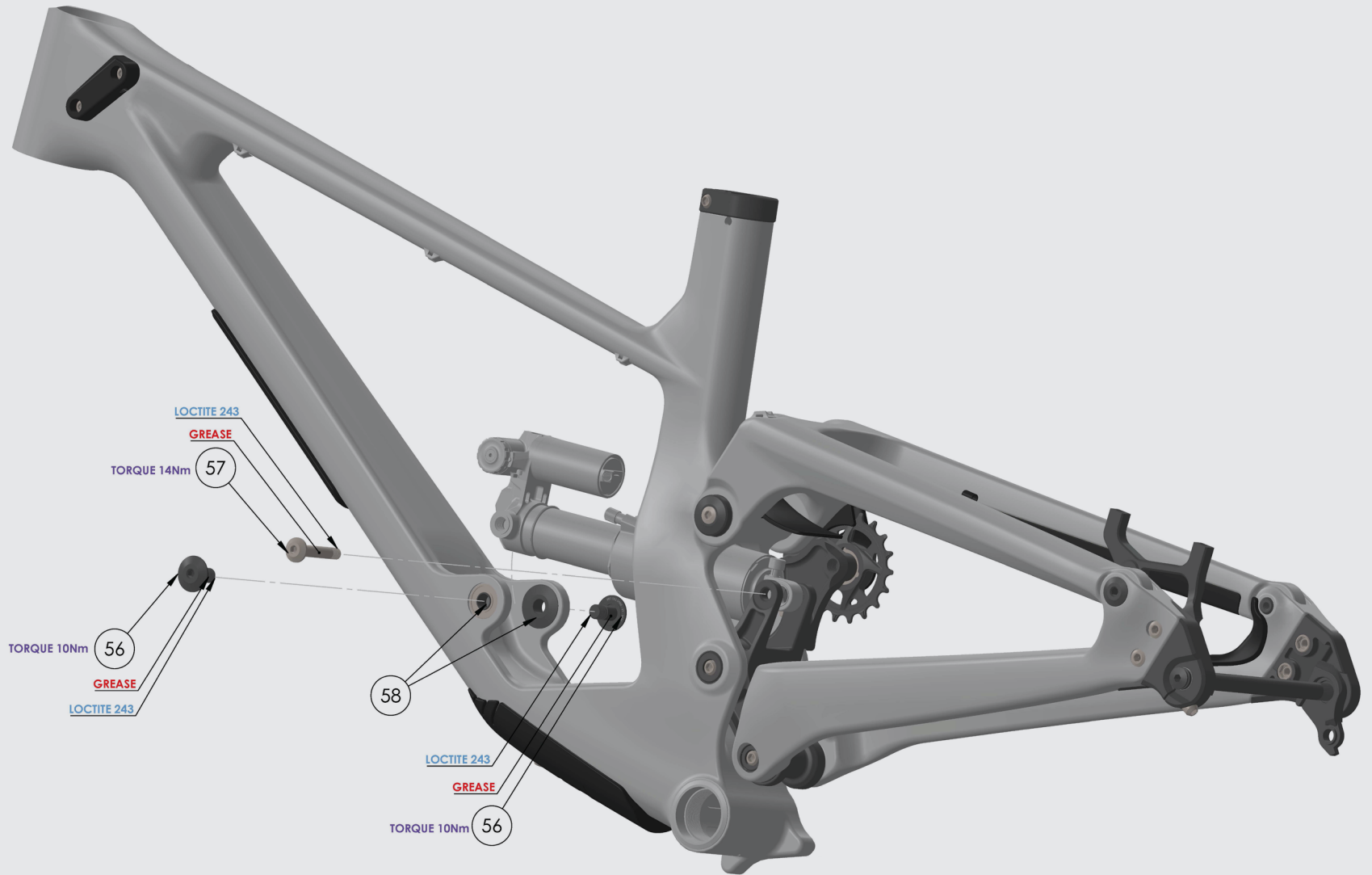
| ITEM NO. | DESCRIPTION | QTY |
|----------|--|-----|
| 47 | 001.005.0004 BRAKE MOUNT 27.5 [0,+10,-10] 200mm ALT. 001.005.0002 ALT. BRAKE MOUNT 29 [0,+10] 200mm | 1 |
| 48 | 003.007.0012 M4 x 10 TAPER SOCKET SCREW 4mm HEX | 1 |
| 46 | 003.007.0006 M6 x 20 COUNTERSUNK SCREW 5mm HEX | 1 |
| 49 | UNIVERSAL DERAILEUR HANGER | 1 |
| 50 | BURGTEC 180 x 1mm AXLE UDH | 1 |
| 51 | 003.001.0012 SUPERNOUGHT IP MOUNT | 1 |
| 52 | 003.001.0014 IDLER PULLY SCREW 10x1 | 1 |
| 53 | 003.007.0009 M6 x 16 COUNTERSUNK SCREW 5mm HEX | 2 |
| 37 | 003.007.0011 M6 x 25 TAPER SOCKET SCREW 5mm HEX | 1 |
| 54 | 004.003.0012 SUPERNOUGHT CHAIN GUIDE | 1 |
| 55 | 003.007.0014 M5 x 16 LEFT HAND THREAD 3mm HEX | 1 |



EXPLODED VIEW - V1.0



| ITEM NO. | DESCRIPTION | QTY |
|----------|--|-----|
| 56 | 002.002.0006 SCREW 10x1x18.5 24OD | 2 |
| 57 | 003.007.0004 SHOCK SCREW 8x1.25x48 | 1 |
| 58 | 002.004.0010 SPACER 10x4 FLANGED TOP HAT | 2 |



EXPLODED VIEW - V1.0



| ITEM NO. | DESCRIPTION | QTY |
|----------|--|-----|
| 59 | 004.002.0005 DOWNTUBE PROTECTION LOWER | 1 |

