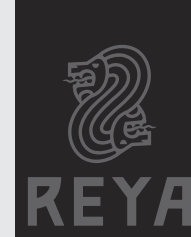


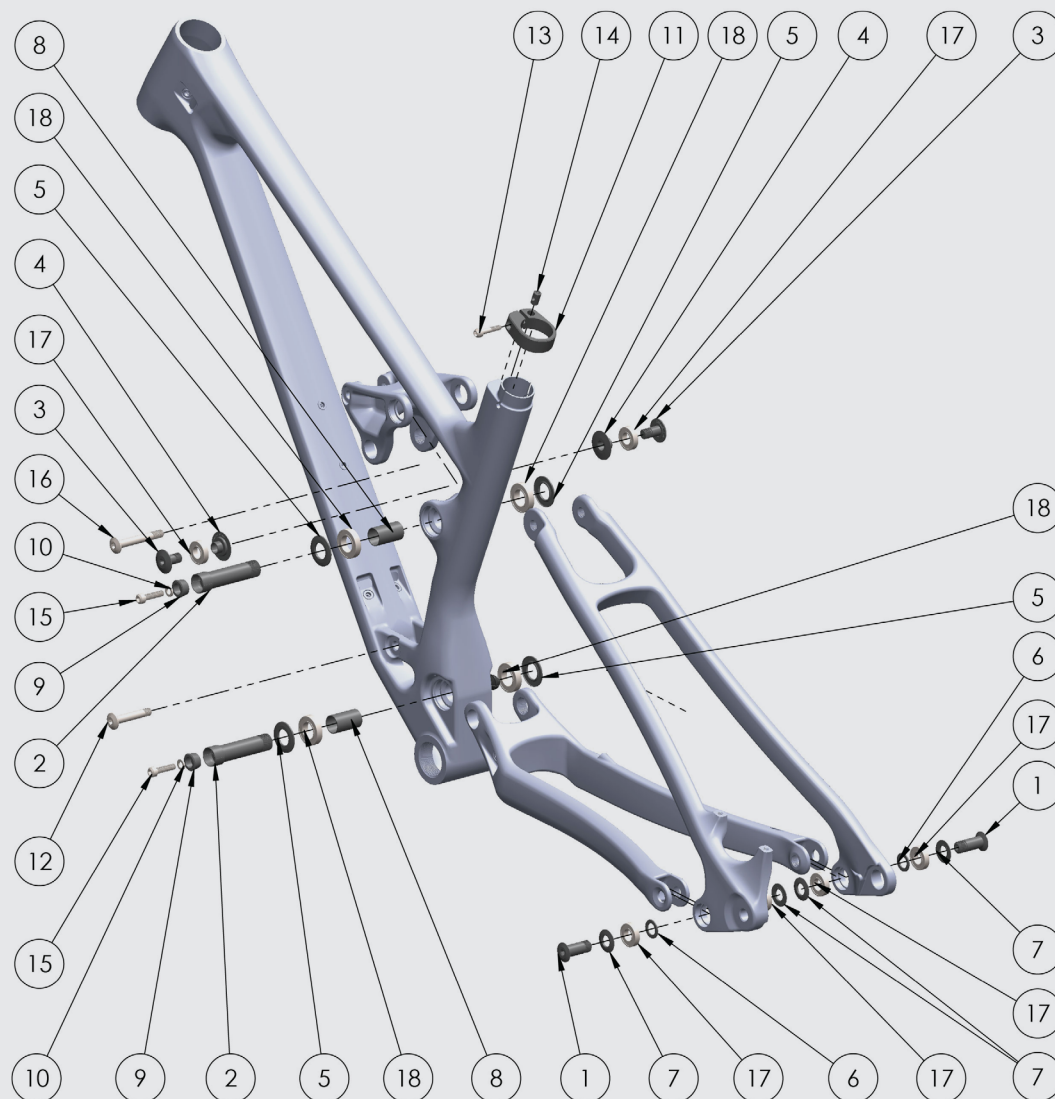


REYA //
EXPLODED VIEW

EXPLODED VIEW - V1.0



ITEM NO.	PART NO.	DESCRIPTION	QTY.	TORQUE (Nm)	THREADS	NOTES
1	002.001.0011	SHAFT 12x30	2	14	LOCTITE 243	GREASE SHAFT
2	002.001.0021	SHAFT 17x50 EXT R1	2	8 - 12	LOCTITE 243	GREASE SHAFT
3	002.002.0006	SCREW 10x1x18.5 24OD	2	14	LOCTITE 243	GREASE SHAFT
4	002.004.0010	SPACER 10x4 FLANGED TOP HAT	2	-	-	GREASE INSIDE SURFACE
5	002.004.0014	SHIELD SPACER 17x2.25	4	-	-	GREASE INSIDE SURFACE
6	002.004.0016	SPACER 12x1.5	2	-	-	-
7	002.004.0017	SPACER 12x2.25	4	-	-	-
8	002.004.0018	SPACER SLEEVE 17x31.5	2	-	-	-
9	002.005.0001	TAPERED WASHER 17mm	2	-	-	GREASE OUT-SIDE SURFACE
10	002.005.0003	M6 x 1.6 WASHER 11mm OD	2	-	-	-
11	003.999.0002	SEAT CLAMP ASSEMBLY	1	-	-	-
12	003.007.0004	SHOCK SCREW 8x1.25x45	1	14	LOCTITE 243	GREASE SHAFT
13	003.007.0005	M5 x 25 SOCKET SCREW 5mm HEX	1	6	LOCTITE 243	-
14	003.007.0008	SEAT CLAMP BARREL	1	-	-	-
15	003.007.0022	M6 x 20 TAPER SOCKET SCREW 5mm HEX	2	10	LOCTITE 243	-
16	003.007.0024	SHOCK SCREW M8x-1.25x58	1	14	LOCTITE 243	GREASE SHAFT
17	005.001.0009	ENDURO 6901 LLU MAX BO	6	-	-	-
18	005.001.0006	ENDURO 6903 LLU MAX BO	4	-	-	-

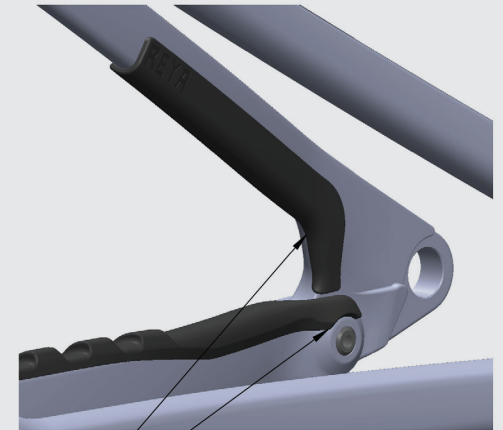
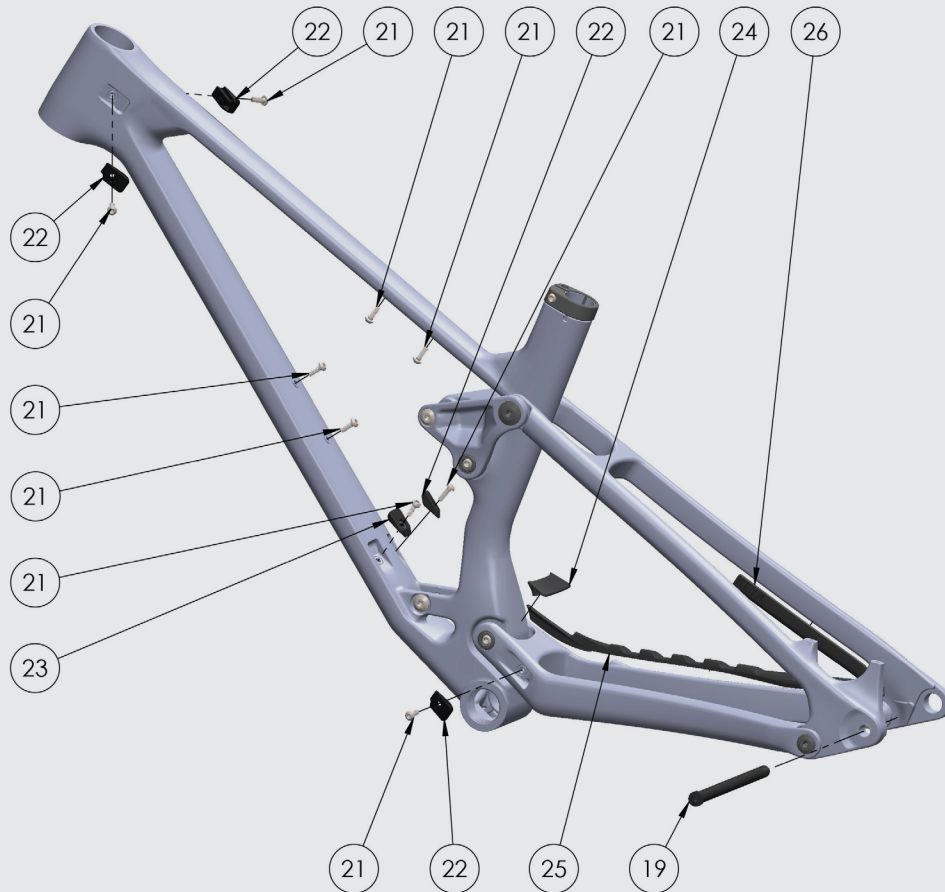


ATTENTION: APPLY LIGHT FILM OF GREASE TO BEARING BORES BEFORE INSTALLATION!

EXPLODED VIEW - V1.0



ITEM NO.	PART NO.	DESCRIPTION	QTY.	TORQUE (Nm)	THREADS	NOTES
19	00.4318.017.016	MAXLE STEALTH REAR L180 M12X1.0	1	12	GREASE	GREASE SHAFT
21	003.007.0002	M5 x 16 ACCESSORY SCREW 4mm HEX	9	1 - 2	GREASE	-
22	004.001.0003	CABLE PORT SINGLE	4	-	-	-
23	004.001.0014	CABLE PORT SINGLE ALTERNATIVE SIDE	1	-	-	-
24	004.002.0034	REYA FENDER	1	-	-	-
25	004.002.0035	REYA CHAINSTAY PROTECTION	1	-	-	-
26	004.002.0036	REYA SEATSTAY PROTECTION	1	-	-	-



ATTENTION: ENSURE CORRECT ALIGNMENT!

